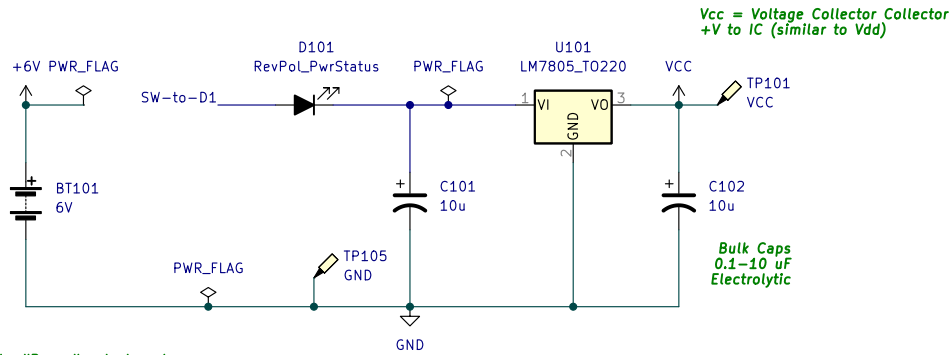
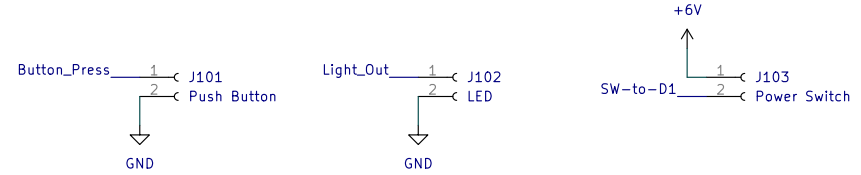


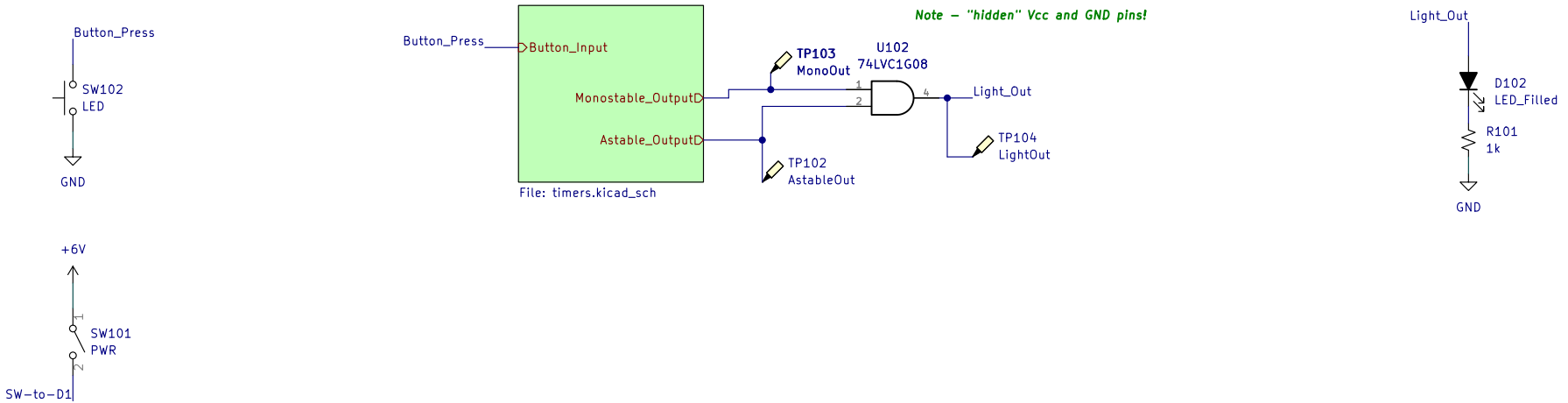
Submit a single PDF of the following:
 * Both sheets of the schematic
 * Screenshot showing 100% ERC validity
 * Screenshot of the Schematic Setup:Net Classes
 after you have assigned all net classes.



The "Power" net class traces are a slightly different color.



Timers



- H101 MountingHole
- H102 MountingHole
- H103 MountingHole
- H104 MountingHole

Note that all of the part annotations on this sheet are 1xx.

Duke | BME

Mark Palmeri

Sheet: /
 File: one-shot-blinking-light.kicad_sch

Title: One-Shot Blinking Light

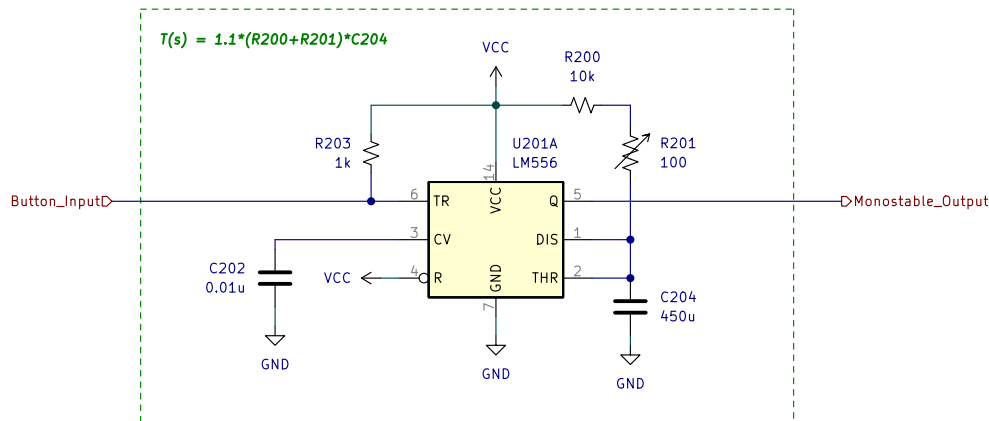
Size: A4 Date: 2023-02-01

KiCad E.D.A. kicad 6.0.10-2.fc37

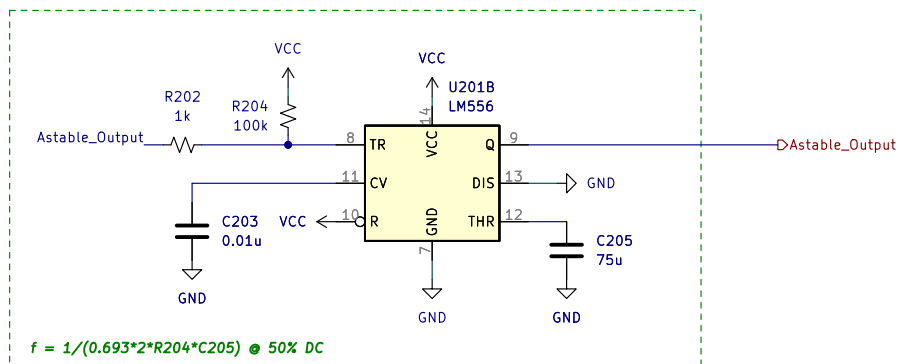
Rev: v1.0.1

Id: 1/2

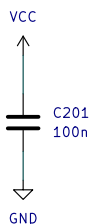
Monostable One-Shot



Astable Oscillator



Decoupling Cap
Power & Inductance
100 nF
Ceramic
(Physically place next to IC voltage pin.)



Make sure your Page Settings data
is exported to all sheets.

Duke | BME

Mark Palmeri

Sheet: /Timers/

File: timers.kicad_sch

Title: One-Shot Blinking Light

Size: A4

Date: 2023-02-01

Rev: v1.0.1

KiCad E.D.A. kicad 6.0.10-2.fc37

Id: 2/2

Note that all of the part annotations on this sheet are 2xx.